

Installation Guide - LED Linear High Bay

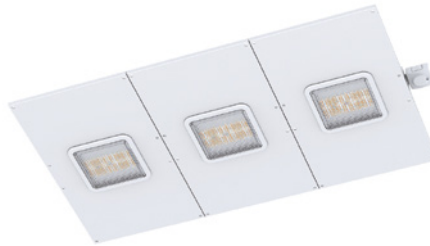
Rev. 1

WARNING: Before proceeding, read all instructions carefully to ensure proper and safe installation.
WARNING: Risk of fire or electrical shock.
WARNING: Disconnect power before installing or servicing.
WARNING: All wiring to be performed per National Electrical Code and local code by a qualified electrician.

Single Module Fixture
w/Occupancy Sensor



Multiple Module Fixture
w/Occupancy Sensor



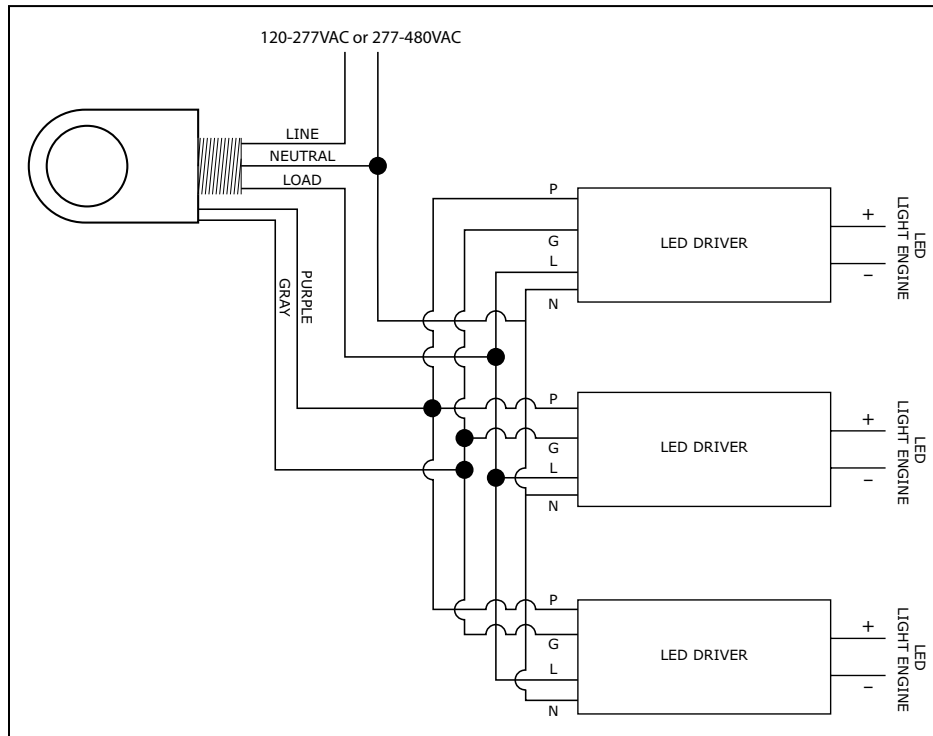
Multiple Module Fixture w/Occupancy Sensor,
Uplight & Battery Backup Options



Wiring Instructions (For units with Occupancy Sensor)

4. Connect supply wires to fixture using provided wire nuts. (Fig. A)
 - 4.1. Connect AC neutral wire to sensor neutral and driver(s) neutral (white).
 - 4.2. Connect AC line wire to sensor input (black).
 - 4.3. Connect sensor Load wire to driver(s) line input wires.

Fig. A



Dimming Controls

This luminaire supports 0-10V dimming (control supplied by others) via the yellow (10V), purple (0-10V) or gray (neg) wires on the output side of the driver. Follow specific dimming control instructions for proper wiring.

NOTES:

Occupancy Sensor is mounted in the same wireway knockout used to connect multiple fixtures.

Uplight and Battery Backup options are factory installed and pre-wired and require no additional wiring during installation.

Wireway Access

3. Any connections should be made inside provided wireway located along centerline of fixture.
 - 3.1. For single module fixtures - Remove four (4) screws and remove access cover. **(Fig B)**
 - 3.2. For multiple (up to three) module fixtures - Remove six (6) screws and remove access cover. **(Fig C)**
NOTE: Cover is flipped 180° and two (2) of the screws attach to the adjacent module for extra stability.
 - 3.3. Remove required knockouts from cover.

Fig. B

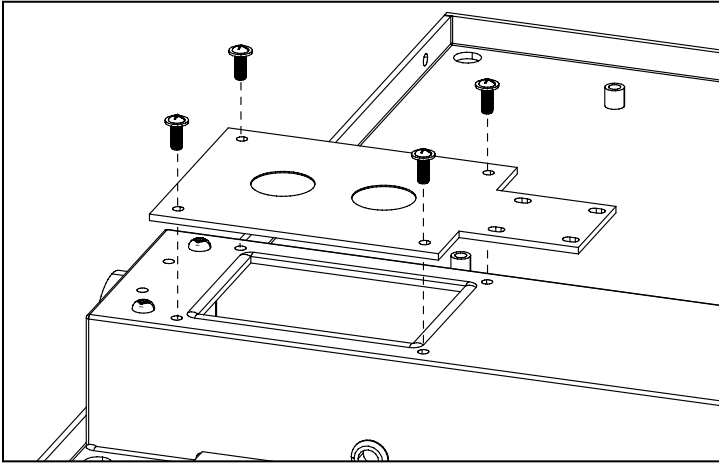
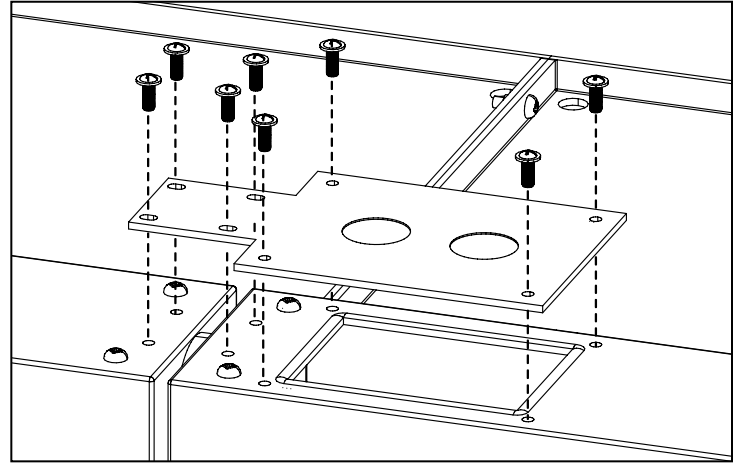


Fig. C



Assembly/Hanging

1. Fixtures can be hung using standard hook and chain/aircraft cable arrangement (supplied by others). **(Fig D)**
2. Multiple module fixtures
 - 2.1 Up to three (3) modules can be assembled to create a single fixture.
 - 2.2 Remove knockouts from ends of wireways to run supply wire through fixtures. **NOTE:** For connections made inside the wireway, supply wires should be 14 AWG, 600V rated for 105°C.
 - 2.3 Multiple module fixtures are assembled to each other using the chain holes and 4mm nuts and bolts provided. Hand tighten to prevent deforming housing. **(Fig E)**

Fig. D

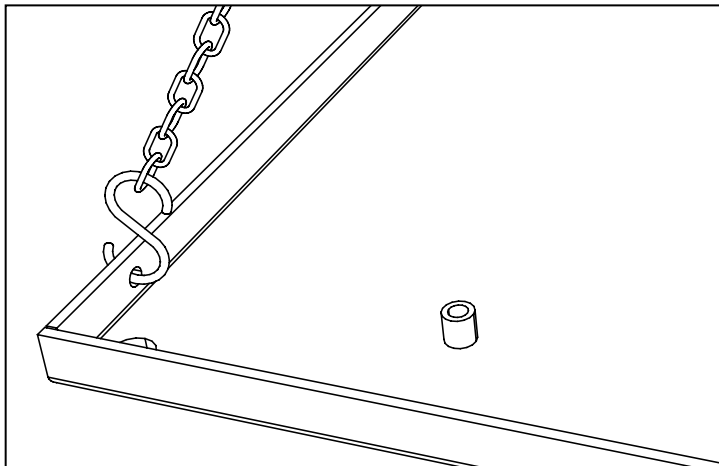


Fig. E

