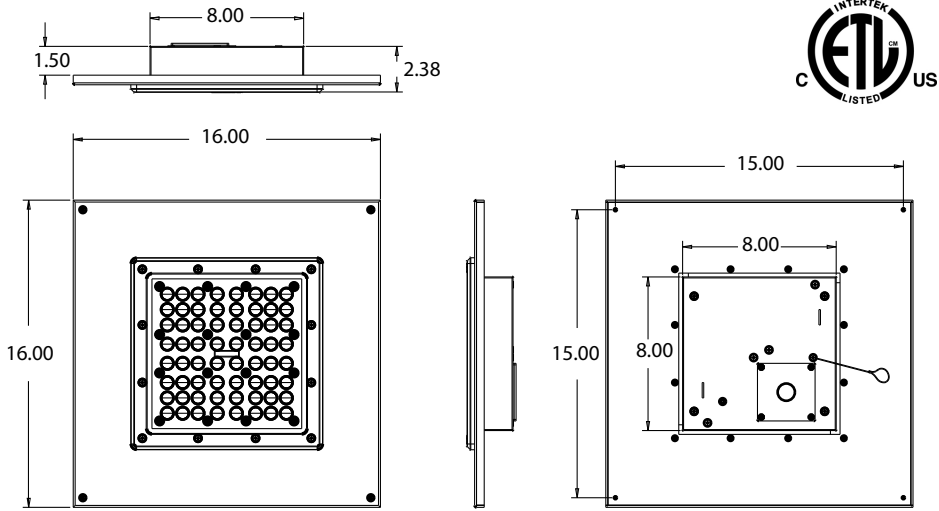


# Installation Guide - Recessed Canopy Fixture

Rev. 1.4



dimensions shown in inches

**WARNING:** Before proceeding, read all instructions carefully to ensure proper and safe installation.

**WARNING:** Risk of fire or electrical shock.

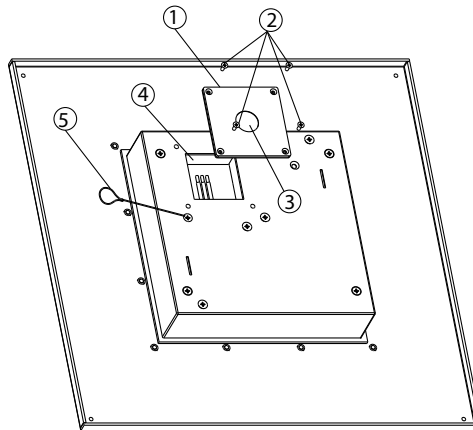
**WARNING:** Disconnect power before installing or servicing.

**WARNING:** All wiring to be performed per National Electrical Code and local code by a qualified electrician.

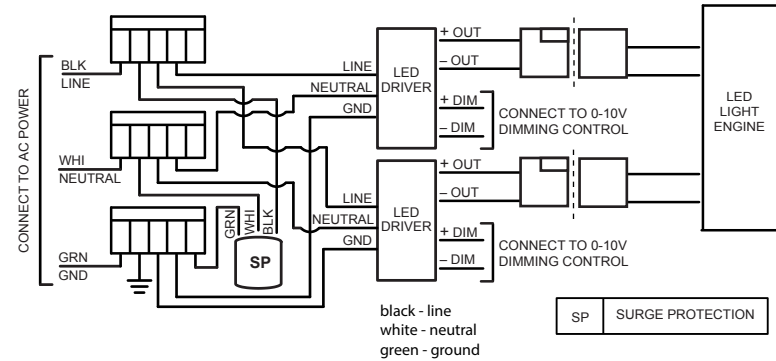
Check to make sure the fixture consists of a recessed unit with power supply(s) mounted in the back housing. Surge protector is also mounted in the back housing (optional).

Prepare fixture for hands free wiring:

- 1) Remove the cover shown in figure 1 to gain access to the electrical box with the line, neutral and ground wires.
- 2) Use the knock out shown in figure 3 to fit conduit connector piping that supplies external AC power to the fixture.
- 3) Locate a secure hanging point in ceiling opening for the steel cable tether to hang fixture from for hands-free wiring.
- 4) Make wiring connections between supply wiring and conduit connector piping that supplies external AC power. Wire per National Electric Code and local code. Refer to the electrical diagram for further information.

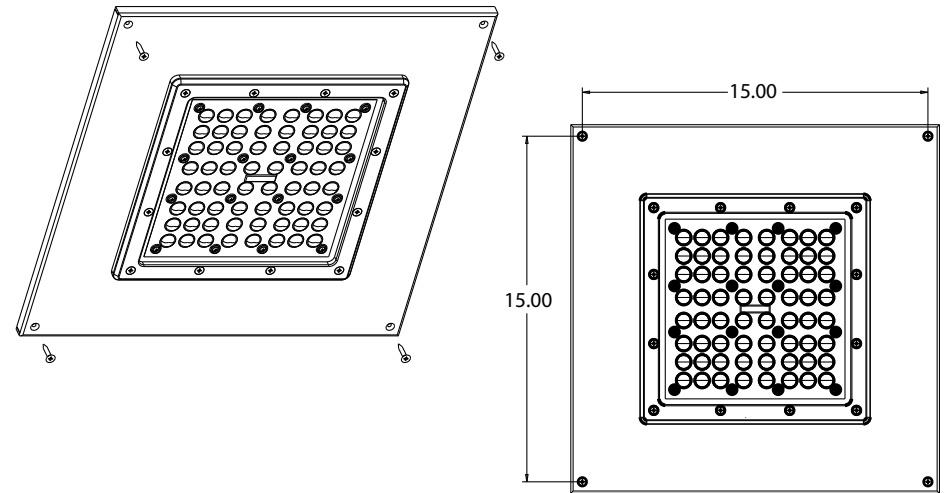


- 5) Connect the incoming electrical wires to the set of power wires on the LED power supply(s). The surge suppressor is an optional accessory that can be used in the system.



Recessed Mount Installation:

- 6) Prepare ceiling opening. Locate position of ceiling opening where enclosure will accommodate a 16 inches x 16 inches retrofit fixture. Position the fixture flush with the ceiling and secure using appropriate fasteners (not supplied). Four (4) drill points are provided on the face of the fixture.



dimensions shown in inches