

# Simple Square Pole Mount Installation Guide - LED Area Light

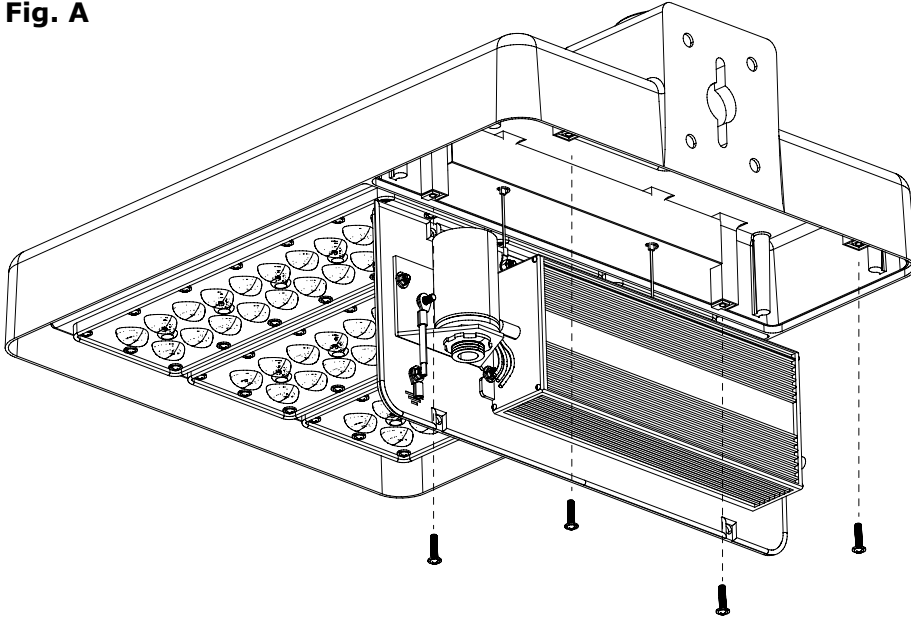
Rev. 1

**WARNING:** Before proceeding, read all instructions carefully to ensure proper and safe installation.  
**WARNING:** Risk of fire or electrical shock.  
**WARNING:** Disconnect power before installing or servicing.  
**WARNING:** All wiring to be performed per National Electrical Code and local code by a qualified electrician.

## Fixture Access

1. Remove four screws from driver compartment access plate on bottom of fixture and carefully let access plate down until it is hanging securely from aircraft cables. (Fig. A)

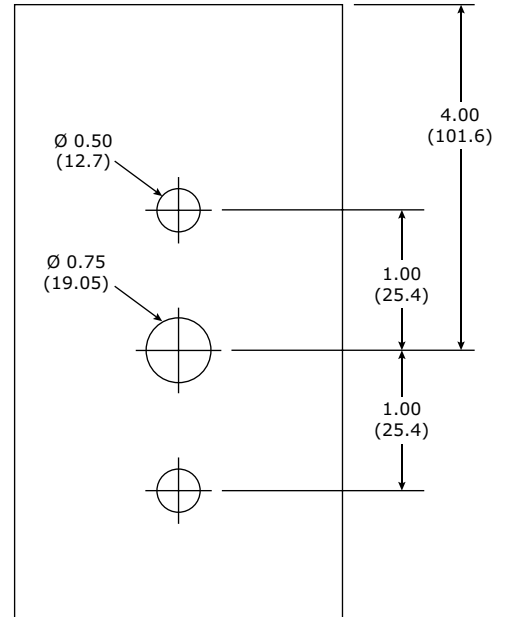
Fig. A



## Pole Drilling Details

For pole mounted fixtures. Fig. C

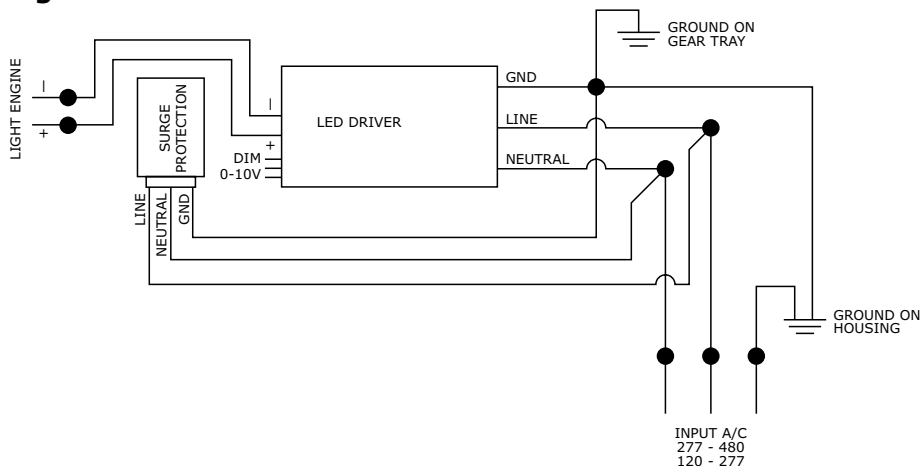
**NOTE:** Drawing not to scale.



## Wiring Instructions

1. Connect supply wires to fixture using provided wire nuts. (Fig. B)
  - 1.1. Connect ground wires to driver, surge protection and gear tray ground (green).
  - 1.2. Connect AC common wire to driver and surge protection common (white).
  - 1.3. Connect AC line wire to driver and surge protection common (black).

Fig. B

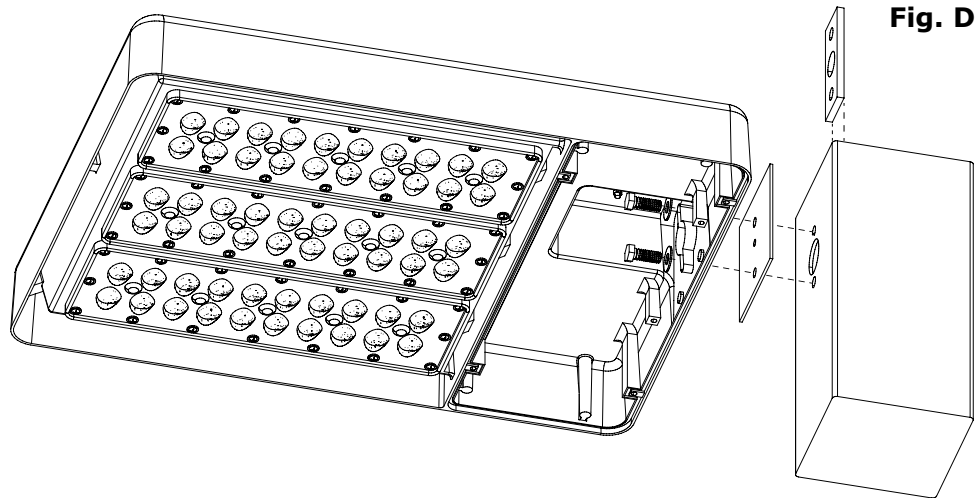


## Dimming Controls

This luminaire supports 0-10V dimming (control supplied by others) via the yellow (10V), purple (0-10V) or gray (neg) wires on the output side of the driver. Follow specific dimming control instructions for proper wiring.

## Simple Square Pole Mounting Instructions

1. Reference pole drilling details to prepare pole for fixture installation. (Fig. C)
2. Install gasket between the fixture and the pole by aligning the two holes in the gasket with the two holes drilled in the pole. (Fig. D)
3. Secure the fixture to the pole by screwing the two 8mm bolts and lock washers supplied through the fixture and into the threaded nuts on the backing plate inside the pole. Tighten bolts to 175 in-lbs (20 Nm).
4. Connect supply wires to fixture. (Fig. B)
5. Tuck connections carefully into wiring compartment above the driver.
6. Replace access plate and secure it with provided screws. **NOTE: Be sure access plate fits properly and that no wiring interferes with the foam gasket on driver compartment**



**Fig. D**