

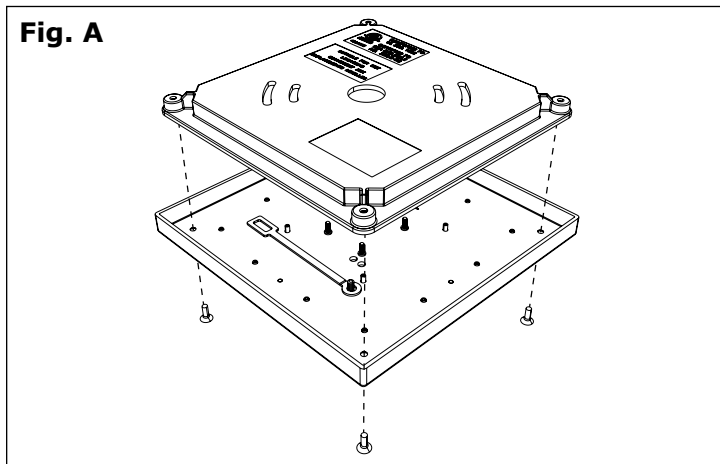
Installation Guide - LED Slim Line Canopy

Rev. 1

WARNING: Before proceeding, read all instructions carefully to ensure proper and safe installation.
WARNING: Risk of fire or electrical shock.
WARNING: Disconnect power before installing or servicing.
WARNING: All wiring to be performed per National Electrical Code and local code by a qualified electrician.

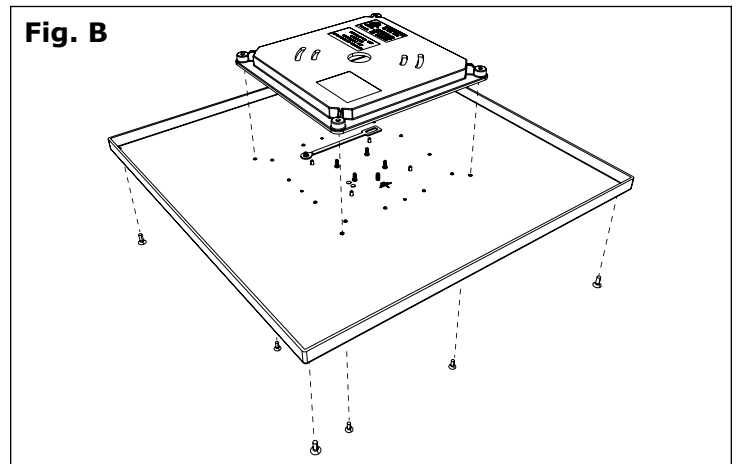
Installation Instructions (SL1 Fig. A)

1. Remove four (4) screws and separate lower housing assembly from upper housing.
2. Use pliers to pry off plastic tabs covering appropriate junction box mounting slots in upper housing (Fig. C).
3. Feed supply wires through center hole and mount upper housing to junction box.
4. Use provided hanging strap to suspend lower housing assembly and make electrical connections. Feed wire nuts through center hole into junction box.
5. Attach lower housing assembly using four (4) screws.



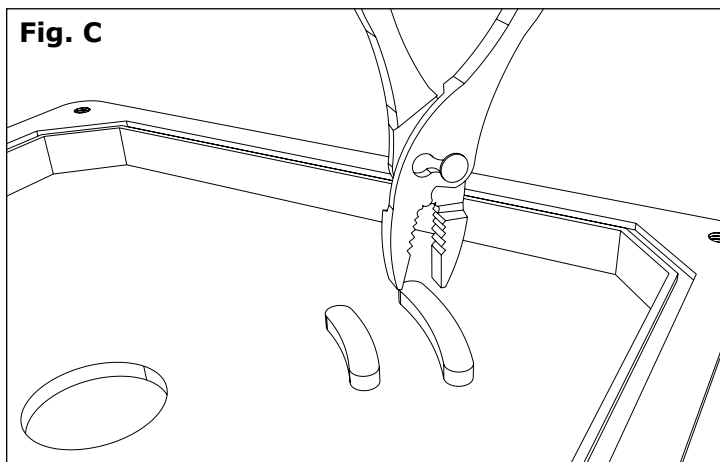
Installation Instructions (SL2 Fig. B)

1. Remove four (4) screws and separate lower housing assembly from upper housing.
2. Use pliers to pry off plastic tabs covering appropriate junction box mounting slots in upper housing (Fig. C).
3. Feed supply wires through center hole and mount upper housing to junction box.
4. Use provided hanging strap to suspend lower housing assembly and make electrical connections. Feed wire nuts through center hole into junction box.
5. Attach lower housing assembly using four (4) screws.
6. Mount lower housing assembly to ceiling using four (4) screws (provided by installer).



Mounting Slot Removal (Fig. C)

1. Use pliers to pry off plastic tabs covering appropriate junction box mounting slots.



Wiring Instructions

1. Connect supply wires using provided wire nuts. (Fig. D)
NOTE: Do not suspend housing from wiring harness.
 - 1.1. Connect AC neutral wire to driver neutral (white).
 - 1.2. Connect AC line wire to driver input (black).
 - 1.3. Connect building ground wire to driver ground wire (green).

