

## ATLAS DP Series

Low Glare, Low Profile Canopy

### Product Description

The ATLAS DP Series LED Luminaire has a low profile form factor designed to exceed standards for all canopy and soffit applications. It can be surface and pendant mounted easily in a variety of applications. The ATLAS DP Series features low glare optics delivering between 3300 to 8200 lumens while only consuming 21 to 53 watts. Delivering up to 150 lumens per watt, it's the ideal canopy luminaire.

Applications: Canopy soffits, Low-mid bay general lighting

### Product Performance

- Wattage Range: 21W-53W
- Input Voltage: 120-277V
- CCT: 3000K, 4000K or 5000K, Amber available
- CRI: Minimum 70 CRI
- UL1598 Compliant
- Wet Location Listed
- 10kV Surge suppression available
- 0-10V Dimmable power supply
- Universal mounting pattern fits most 3 1/2" and 4" J-boxes
- 5 year Warranty

### Accessories

- Torx Screws
- Bird Guard



US Patent D702868

### Ordering Guide

Example: CSS1DP2530K-WH

CSS1	X	XX	XXX	XX	-XX
Series	Distribution	Output Type	CCT Code	Voltage	Fixture color
CSS1	DP - Diffused Canopy	25 - 3300 Lumens, 21W 45 - 4100 Lumens, 27W 60 - 6600 Lumens, 44W 80 - 8200 Lumens, 53W	3000K - 3000K 4000K - 4000K 5000K - 5000K AMKX - Amber, Special Order	(Blank) - 120-277V	WH - White BZ - Bronze SV - Silver CC - Custom Color

### Options

SP277 - 10Kv Surge Suppression

BB1<sup>1</sup> - Integral Battery Backup, 1200 Lumens, 90 Min Illumination, [See BB User Guide](#)

### Accessory Guide (Field installed, order separately)

Accessory Number	Description
TX01	Torx Screws
BG01	Bird Guard (Specify Color)

Adapter plates available to fit any application, [download details](#)

<sup>1</sup> Battery backup configurations will correspond to active mode fixture configuration outputs at 3000K, 4000K or 5000K. NOTE: battery backup output will correspond to active mode output CCT differences.



## ATLAS DP Series

### Product Specifications

#### Construction & Materials

- Aluminum housing with multi stage pre-treatment and high-durability TGIC powder coat finish
- UV Stabilized single PMMA lens - tamper resistant
- Robust low profile design
- Flush J-box mounting or pendant mounting standard, covered canopy
- This fixture has one 1/2" conduit knock out

#### Optical System

- DP Lens - Type V Diffused Low Glare Medium Canopy Lens

#### Electrical System

- Input Voltage: 120-277VAC
- Power Factor: > 0.9
- Total Harmonic Distortion: <20%
- Operating Temperature Range: -40°C to 60°C

#### Testing & Certifications

- cETLus listed
- UL1598, CSA STD.22.2 compliant
- Suitable for Wet Location Covered Canopy
- RoHS Compliant
- Can meet ARRA Buy America requirements as required

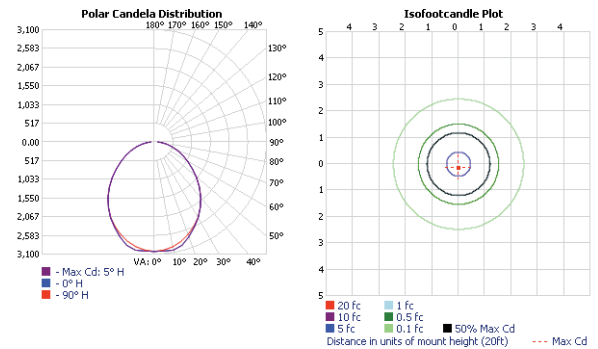
#### Lumen Maintenance

L70 @ 25°C >190,000 hours

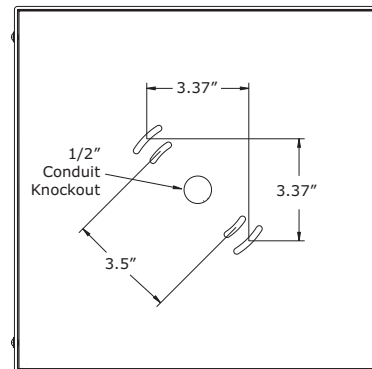
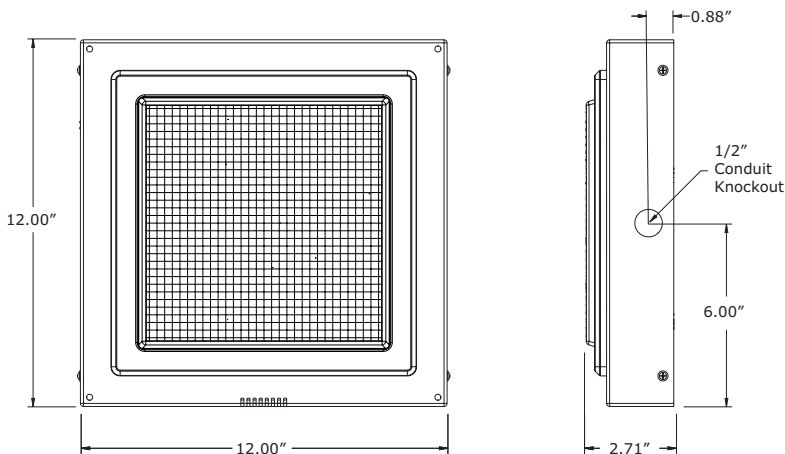
### Photometry

All published photometric testing data is performed to IESNA LM79-08 standards by a NVLAP accredited laboratory. To obtain an IES file specific to your project contact sales@eluminaire.com.

Output Type	Diffused Canopy Distribution					
	3000K		4000K		5000K	
	Initial Delivered Lumens	Lumens Per Watt	Initial Delivered Lumens	Lumens Per Watt	Initial Delivered Lumens	Lumens Per Watt
25	2900	138	3300	157	3300	157
45	3600	133	4100	152	4100	152
60	5800	132	6600	150	6600	150
80	7200	136	8200	155	8200	155



The information in this document is subject to change without notice.



Fixture Weight: 6.0 to 7.0 lbs