

ATLAS G Series

Standard Series Garage Luminaire

Product Description

The ATLAS G Series LED Luminaire has a low profile form factor designed to exceed standards for all garage applications. It can be surface and pendant mounted easily in a variety of applications. Available with IES Type VS distribution and delivering between 2500 to 8000 lumens while only consuming 20 to 67 watts, the ATLAS G Series is the ideal garage luminaire.

Applications: Parking Garages

Product Performance

- Wattage Range: 20W-67W
- Input Voltage: 120-277V
- CCT: 4000K or 5000K, Amber available
- CRI: Minimum 70 CRI
- UL1598 Compliant
- IES Type VS Distribution
- Wet Location Listed
- 10kV Surge suppression available
- 0-10V Dimmable power supply
- Universal mounting pattern fits most 3 1/2" and 4" J-boxes
- 5 year Warranty

Accessories

- Torx Screws
- Bird Guard



US Patent D702868

Ordering Guide

Example: CSS1-G2550K-WH

CSS1-	XX	XX	XXX	XX	-XX
Series	Distribution	Lumen Output Type	CCT Code ¹	Voltage	Fixture color
CSS1	G - Performance Garage	25 - 2500 lumens, 20W 45 - 4500 lumens, 36W 60 - 6000 lumens, 50W 80 - 8000 lumens, 67W	40K - 4000K 50K - 5000K AMKX - Amber, Special Order	(Blank) - 120-277V	WH - White BZ - Bronze SV - Silver CC - Custom Color

Options

SP277 - 10Kv Surge Suppression

BB1² - Integral Battery Backup, 1200 Lumens, 90 Min Illumination, [See BB User Guide](#)

Accessory Guide (Field installed, order separately)

Accessory Number	Description
TX01	Torx Screws
BG01	Bird Guard (Specify Color)

Adapter plates available to fit any application, [download details](#)

¹ 3000K available upon request

² Battery backup configurations will correspond to active mode fixture configuration outputs at 3000K, 4000K or 5000K. NOTE: battery backup output will correspond to active mode output CCT differences.



ATLAS G Series

Product Specifications

Construction & Materials

- Aluminum housing with multi stage pre-treatment and high-durability TGIC powder coat finish
- UV Stabilized single PMMA lens - tamper resistant
- Robust low profile design
- Flush J-box mounting or pendant mounting standard
- This fixture has one 1/2" conduit knock out

Optical System

- G Lens - Type VS Wide Garage Lens

Electrical System

- Input Voltage: 120-277VAC
- Power Factor: > 0.9
- Total Harmonic Distortion: <20%
- Operating Temperature Range: -40°C to 60°C

Testing & Certifications

- cETLus listed
- UL1598, CSA STD.22.2 compliant
- Suitable for Wet Location Covered Canopy
- RoHS Compliant
- IK07 Impact Protection Rated
- DesignLights Consortium® Qualified Product
- Can meet ARRA Buy America requirements as required

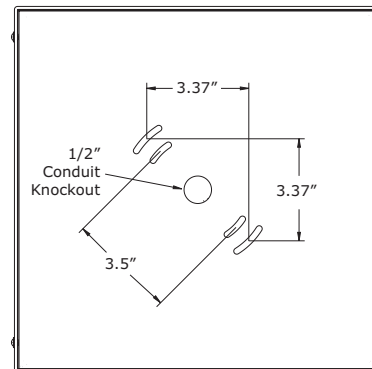
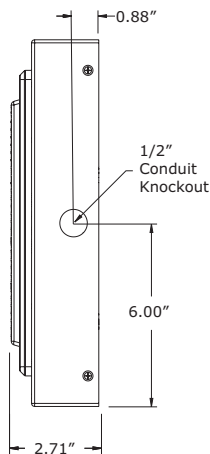
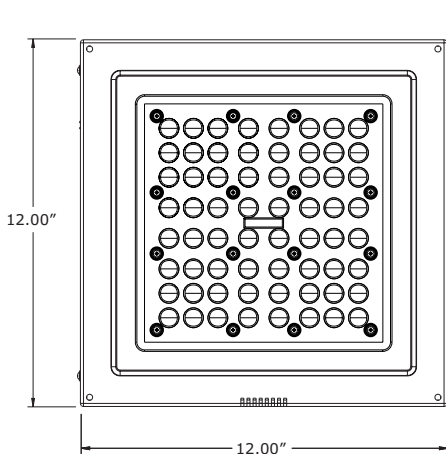
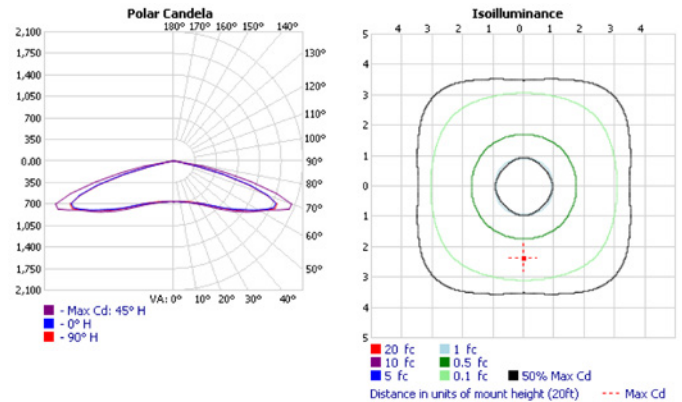
Lumen Maintenance

L70 @ 25°C >190,000 hours

Photometry

All published photometric testing data is performed to IESNA LM79-08 standards by a NVLAP accredited laboratory. To obtain an IES file specific to your project contact sales@eluminaire.com.

Output Type	Performance Garage Distribution					
	4000K			5000K		
	Initial Delivered Lumens	Lumens Per Watt	BUG Ratings per TM-15	Initial Delivered Lumens	Lumens Per Watt	BUG Ratings per TM-15
25	2543	127.15	B2, U0, G1	2533	126.65	B2, U0, G1
45	4582	127.28	B3, U0, G1	4601	127.81	B3, U0, G1
60	6306	126.12	B3, U0, G1	6168	123.36	B3, U0, G2
80	8466	126.36	B3, U0, G2	8589	128.19	B3, U0, G2



Fixture Weight: 6.0 to 7.0 lbs