

CENTURY DP Series

Low Glare Recessed Canopy

Product Description

The CENTURY DP Series LED Luminaire has a form factor designed to exceed standards for all recessed canopy and soffit applications. The CENTURY DP protrudes only 1.27" from the surface when recessed into a soffit. The CENTURY DP Series features low glare optics delivering between 3300 to 8200 lumens while only consuming 21 to 53 watts. Delivering up to 150 lumens per watt, it's the ideal canopy luminaire.

Applications: Recessed canopy soffits, Low-mid bay general lighting

Product Performance

- Wattage Range: 21W-53W
- Input Voltage: 120-277V
- CCT: 3000K, 4000K or 5000K, Amber available
- CRI: Minimum 70 CRI
- UL1598 Compliant
- 10kV Surge Suppression available
- 0-10V Dimmable Power Supply
- Available Sensor: Wattstopper FSP 211 with L2 lens
- Custom sizes available, consult factory
- 5 year Warranty

Accessories

- Torx Screws



Ordering Guide

Example: RCS1DP2530K-WH

RCS1	X	XX	XXX	XX	-XX	-XXX
Series	Distribution	Output Type	CCT Code	Voltage	Fixture color	Options
RCS1	DP - Diffused Canopy	25 - 3300 Lumens, 21W 45 - 4100 Lumens, 27W 60 - 6600 Lumens, 44W 80 - 8200 Lumens, 53W	3000K - 3000K 4000K - 4000K 5000K - 5000K AMKX - Amber, Special Order	(Blank) - 120-277V	WH - White BZ - Bronze SV - Silver CC - Custom Color	C01 - Wattstopper FSP211-L2 SP277 - 10KV Surge Suppression

Custom Size

(Blank) - 16"x16" (Std)
144-225 - 144 to 225 sq in (Max 50W)
225-784 - 225 to 784 sq in (Max 72W)

Accessory Guide (Field installed, order separately)

Accessory Number	Description
TX01	Torx Screws
RCS1DP6-XX	16" Square Surface Mount Conversion Box (XX = WH - White, BZ - Bronze, SV - Silver)



CENTURY DP Series

Product Specifications

Construction & Materials

- Aluminum housing with multi stage pre-treatment and high-durability TGIC powder coat finish
- UV Stabilized single PMMA Lens - Tamper resistant
- Robust low profile design
- Recessed mount covered canopy only

Optical System

- DP Lens - Type V Low Glare Medium Canopy Lens

Electrical System

- Input Voltage: 120-277VAC
- Power Factor: > 0.9
- Total Harmonic Distortion: <20%
- Operating Temperature Range: -40°C to 60°C

Testing & Certifications

- cETLus listed
- UL1598, CSA STD.22.2 compliant
- Suitable for Wet Locations Covered Canopy
- RoHS Compliant
- Driver complies with FCC Part 15 Class B/EN55015, EN61000-3-2 Class C, EN61000-3-3
- Can meet ARRA Buy America requirements as required

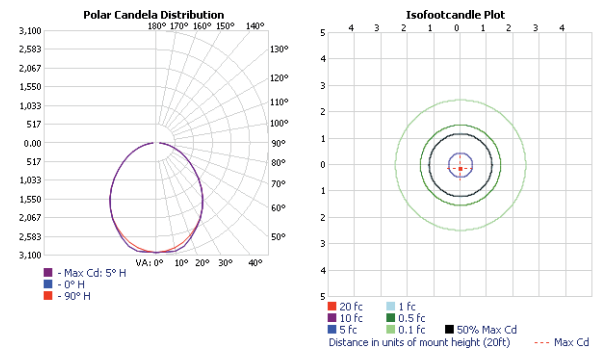
Lumen Maintenance

L70@ 25C >190,000 hours

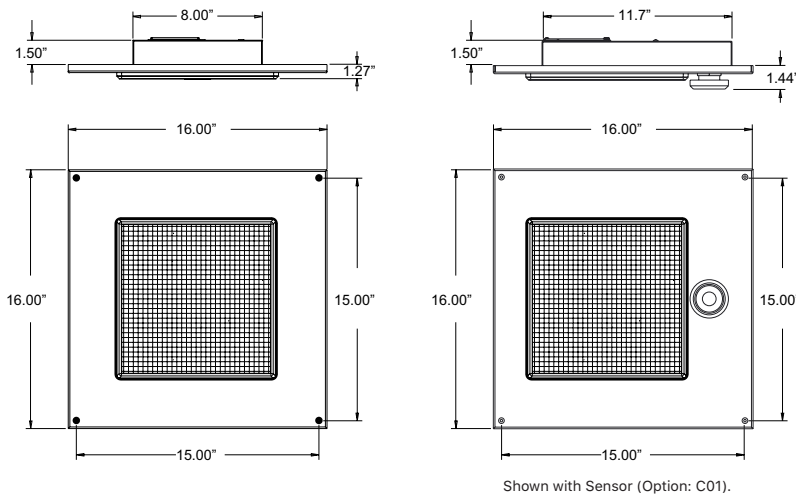
Photometry

All published photometric testing data is performed to IESNA LM79-08 standards by a NVLAP accredited laboratory. To obtain an IES file specific to your project contact sales@eluminaire.com.

Output Type	Diffused Canopy Distribution					
	3000K		4000K		5000K	
	Initial Delivered Lumens	Lumens Per Watt	Initial Delivered Lumens	Lumens Per Watt	Initial Delivered Lumens	Lumens Per Watt
25	2900	138	3300	157	3300	157
45	3600	133	4100	152	4100	152
60	5800	132	6600	150	6600	150
80	7200	136	8200	155	8200	155



The information in this document is subject to change without notice.



Fixture Weight: 8.0 to 9.75 lbs

Surface Mount Conversion (RCS16-XX)

