

CENTURY G Series Recessed Garage Luminaire

Product Description

The CENTURY G Series LED Luminaire has a form factor designed to exceed standards for all recessed garage applications. The CENTURY G Series protrudes less than 1" from the surface when recessed into a soffit. Available with IES Type VS distribution and delivering between 2500 to 8000 lumens while only consuming 20 to 67 watts, the CENTURY G Series is the ideal garage luminaire.

Applications: Parking Garages

Product Performance

- Wattage Range: 20W-67W
- Input Voltage: 120-277V
- CCT: 4000K or 5000K standard, amber and other CCTs available
- CRI: Minimum 70 CRI
- UL1598 Compliant
- IES Type VS Distribution
- 10kV Surge Suppression available
- 0-10V Dimmable Power Supply
- Available Sensor: Wattstopper FSP 211 with L2 lens
- Custom sizes available, consult factory
- 5 year Warranty

Accessories

- Torx Screws



Ordering Guide

Example: RCS1-G2550K-WH-OC1

Series	Distribution	Lumen Output Type	CCT Code	Voltage	Fixture Color	Options
RCS1-	XX	XX	XXX	XX	-XX	-C01
RCS1	G - Perf Garage	25 - 2500 lumens, 20W 45 - 4500 lumens, 36W 60 - 6000 lumens, 50W 80 - 8000 lumens, 67W	40K - 4000K 50K - 5000K AMKX - Amber, Special Order Other CCTs - Special Order	(Blank) - 120-277V	WH - White BZ - Bronze SV - Silver CC - Custom Color	OC1 - Wattstopper FSP211-L2 SP277 - 10KV Surge Suppression See RBB 8W spec for Remote Battery Backup info ¹

Accessory Guide (Field installed, order as separate line item)

Accessory Number	Description
TX01	Torx Screws
RCS16-XX	16" Square Surface Mount Conversion Box (XX = WH - White, BZ - Bronze, SV - Silver)

Custom Size

(Blank) - 16"x16" (Std)
144-225 - 144 to 225 sq in (Max 50W)
225-784 - 225 to 784 sq in (Max 72W)

¹ Battery backup configurations will correspond to active mode fixture configuration outputs at 3000K, 4000K or 5000K. NOTE: battery backup output will correspond to active mode output CCT differences.



CENTURY G Series

Product Specifications

Construction & Materials

- Aluminum housing with multi stage pre-treatment and high-durability TGIC powder coat finish
- UV Stabilized single PMMA Lens - Tamper resistant
- Robust low profile design

Optical System

- G Lens - Type VS Wide Garage Lens

Electrical System

- Input Voltage: 120-277VAC
- Power Factor: > 0.9
- Total Harmonic Distortion: <20%
- Operating Temperature Range: -40°C to 60°C

Testing & Certifications

- cETLus listed
- UL1598, CSA STD.22.2 compliant
- Suitable for Wet Locations
- RoHS Compliant
- Driver complies with FCC Part 15 Class B/EN55015, EN61000-3-2 Class C, EN61000-3-3
- DesignLights Consortium® Qualified Product
- Can meet ARRA Buy America requirements as required

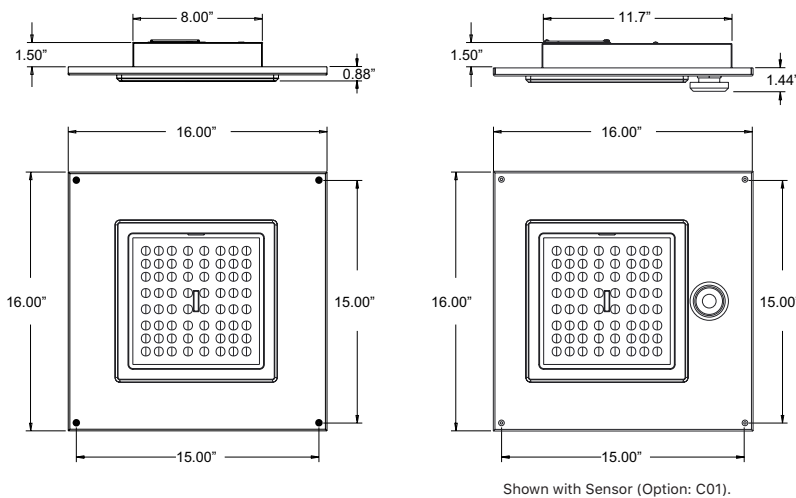
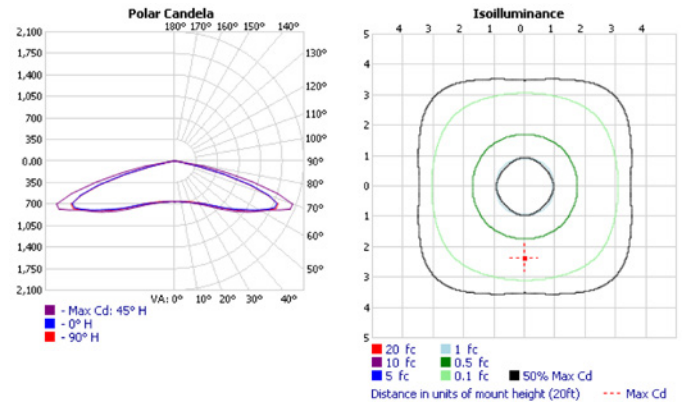
Lumen Maintenance

L70@ 25C >190,000 hours

Photometry

All published photometric testing data is performed to IESNA LM79-08 standards by a NVLAP accredited laboratory. To obtain an IES file specific to your project contact sales@eluminaire.com.

Output Type	Performance Garage Distribution					
	4000K			5000K		
Initial Delivered Lumens	Lumens Per Watt	BUG Ratings per TM-15	Initial Delivered Lumens	Lumens Per Watt	BUG Ratings per TM-15	
25	2543	127.15	B2, U0, G1	2533	126.65	B2, U0, G1
45	4582	127.28	B3, U0, G1	4601	127.81	B3, U0, G1
60	6306	126.12	B3, U0, G1	6168	123.36	B3, U0, G2
80	8466	126.36	B3, U0, G2	8589	128.19	B3, U0, G2



Fixture Weight: 8.0 to 9.75 lbs

Surface Mount Conversion (RCS16-XX)

