

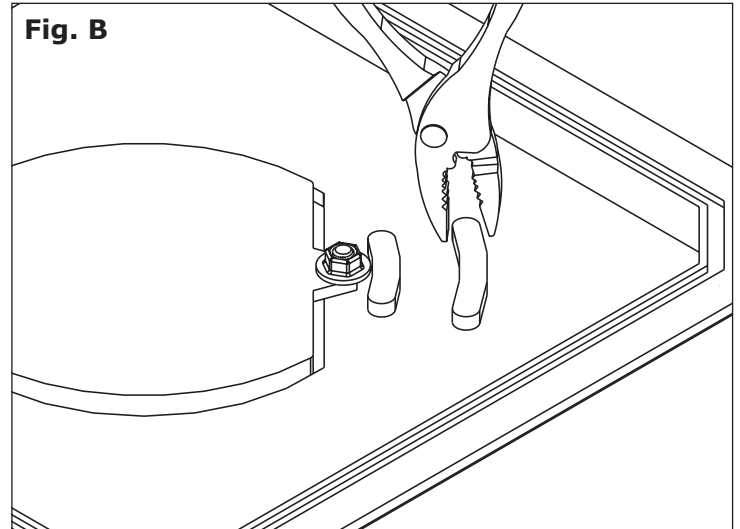
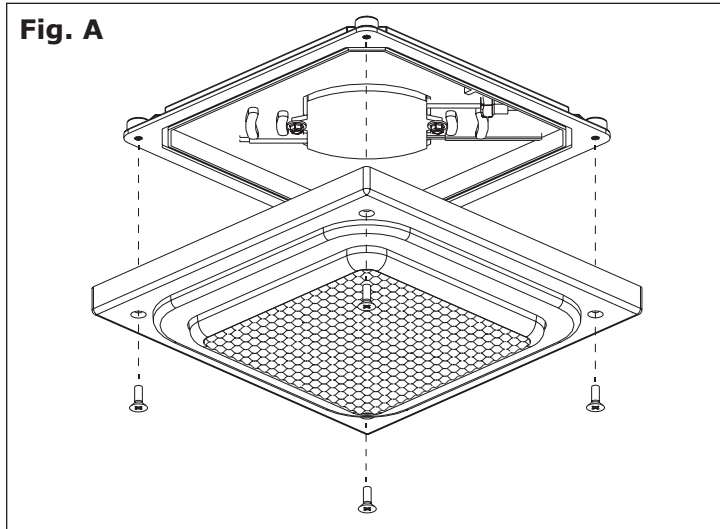
GALEON Series

READ AND FOLLOW ALL INSTRUCTIONS CAREFULLY TO ENSURE PROPER AND SAFE INSTALLATION

1. **WARNING:** Risk of fire or electrical shock.
2. **WARNING:** Disconnect power before installing or servicing.
3. **WARNING:** All wiring to be performed per National Electrical Code and local code by a qualified electrician.
4. Suitable for Wet Location covered canopy.
5. Non-combustable surfaces only.

Installation Instructions

1. Remove four (4) screws, disconnect driver from LEDs and separate lower housing/LED assembly from upper housing/driver assembly. (Fig. A)
2. Use pliers to pry off plastic tabs covering appropriate junction box mounting slots in upper housing. (Fig. B)



3. Make supply line connections (Fig. D) in junction box and mount upper housing to junction box. (Fig. C)
4. Use provided hanging cable to suspend lower housing to upper housing and reconnect driver to lower housing/LED assembly.
5. Attach lower housing/LED assembly using four (4) screws. (Fig. A)

NOTE: Do not suspend housing from wiring harness.
 1.1. Connect AC neutral wire to driver neutral (white).
 1.2. Connect AC line wire to driver input (black).
 1.3. Connect building ground wire to driver ground wire (green).

