

## GALEON Series Slim Line LED Canopy

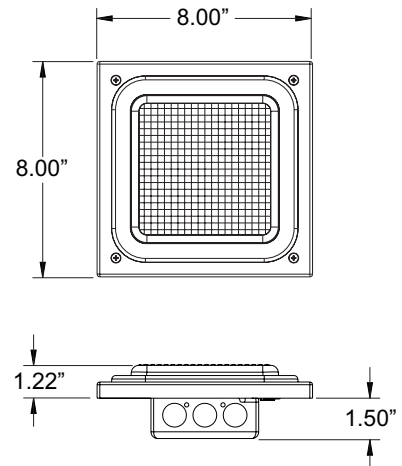
### Product Description

The extreme low profile design of the GALEON Series Slim Line Canopy luminaire is designed to exceed standards for all canopy applications with the lowest possible power consumption. The new low glare design keeps light pleasant for pedestrians while maintaining great coverage. The durable and robust design allows for universal surface mounting. Delivering 3000 lumens while only consuming 20 watts (150LPW), it's the ideal low power canopy light.

Applications: Canopy soffits, interior hallways, apartment buildings and storage facilities.

### Product Performance

- Wattage: 20W
- Input Voltage: 120-277VAC
- CCT: 3000K, 4000K and 5000K
- Installs directly into J-box (provided by others)
- Custom sizes available, consult factory
- IP65 Rated
- CRI: Minimum 70 CRI
- UL1598 Compliant
- 5 year Warranty



J-box is shown for reference only, fixture is designed to mount directly into 4" J-box (provided by others)

Custom sizes available, consult factory

Fixture Weight: 3.6 lbs

### Ordering Guide

Example: SL1-DP2050K-WH

Series	Distribution	Input Wattage	CCT Code <sup>1</sup>	Voltage	Fixture Color
SL1 - 8" Canopy	DP - Diffused Canopy	20 - 3000 Lumens, 20W	30K - 3000K 40K - 4000K 50K - 5000K	(Blank) - 120-277V	WH - White BZ - Bronze SV - Silver CC - Custom Color

### Accessory Guide (Field installed, order as separate line item)

Accessory Number	Description
TX01	Torx Screws

<sup>1</sup> Custom CCTs also available, consult factory



## GALEON Series

### Product Specifications

#### Construction & Materials

- Aluminum housing with multi stage pre-treatment and high-durability TGIC powder coat finish
- UV Stabilized single PMMA Lens - Tamper resistant
- Robust extreme low profile design
- Flush J-box mounting or direct to ceiling, interior or covered canopy

#### Optical System

- DP Lens - Type V Low Glare Medium Canopy Lens

#### Electrical System

- Input Voltage: 120-277VAC
- Power Factor: > 0.9
- Total Harmonic Distortion: <20%
- Operating Temperature Range: -40°C to 40°C

#### Testing & Certifications

- UL1598, CSA STD.22.2 compliant
- Suitable for Wet Locations Covered Canopy
- IP65 Rated
- RoHS Compliant
- Can meet ARRA Buy America requirements as required

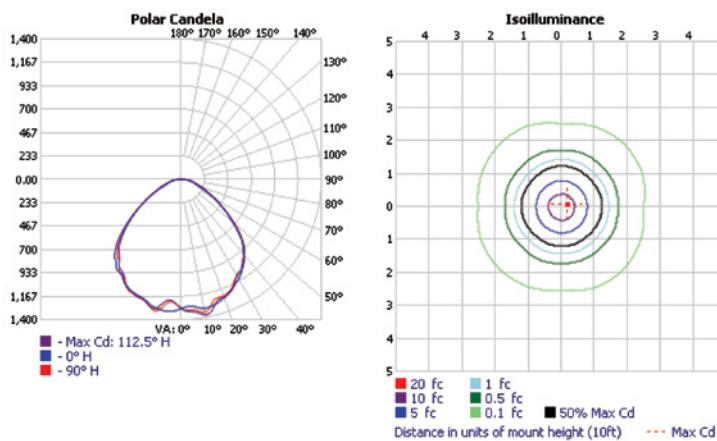
#### Lumen Maintenance

- L70@ 25C >50,000 hours

### Photometry

All published photometric testing data is performed to IESNA LM79-08 standards by a NVLAP accredited laboratory. To obtain an IES file specific to your project contact sales@eluminaire.com.

Diffused Canopy Distribution								
4000K					5000K			
Output Type	Initial Delivered Lumens	Wattage	Lumens Per Watt	BUG Ratings per TM-15	Initial Delivered Lumens	Wattage	Lumens Per Watt	BUG Ratings per TM-15
20	3000	20	150	B2, U1, G1	3000	20	150	B2, U1, G1



The information in this document is subject to change without notice.